

G580 Brass Ring Pull

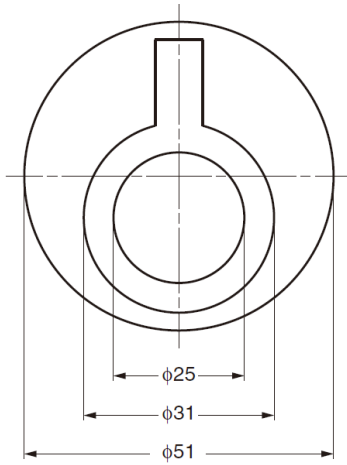
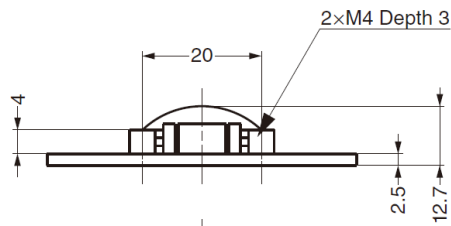
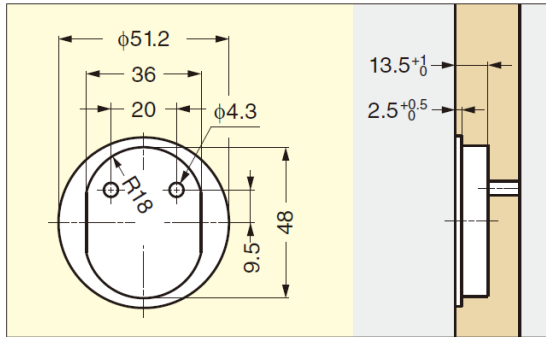
Material

- Brass, satin nickel or satin finish

Parts Included

- M4 x 25 truss head screw

Cut Out Dimensions



Part No.	Finish
G580-WB	Satin Nickel
G580-SB	Satin